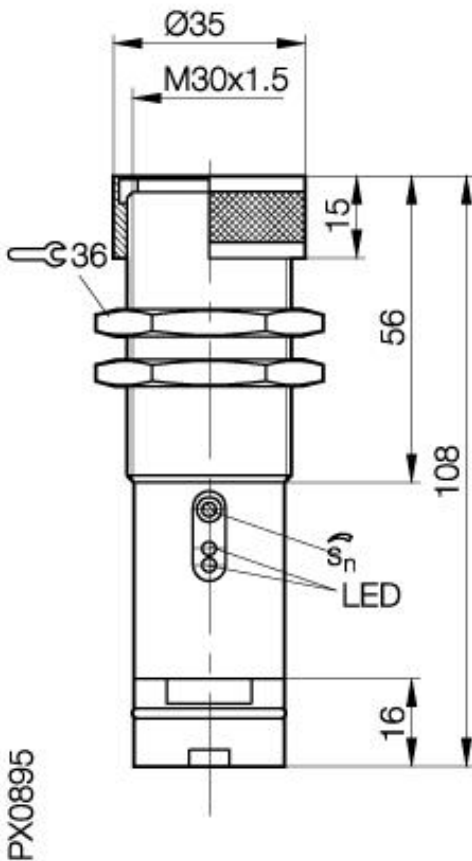


**Photoelectric Sensor**  
**BOS 30M-PU-1PH-SA 1-C**  
**Sn=2000mm**  
**Diffuse**



**Common Data**

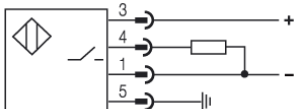
Series	30M
Sensortype	Diffuse
Switching frequency	100 Hz
Rated operating distance Sn in mm	2000
assured operating distance Sa	adjustable
Hysteresis	< 10%
Indication Supply Voltage	yes, green LED
Indication Switching element on	yes, yellow LED
Indication Special funktion	Contamination indicator, red LED
Ambient temperature	-20...+60°C
On-delay	< 5ms
Off-delay	< 5ms
Light	Infrared
Sensitivity Adjustment	18 turn Poti
Blind zone / min Reflector distance	1mm
Special funktion	Output switchable
Permissable ambient light	1000 Lux
Output funktion	light-on or dark-on

**Mechanical Data**

Measurements	M30x108
Shock	Halfsinus, 30gn, 11ms
Vibration	10...55Hz, 1,5mm Amplitude 3x2h
Housing material	nickel plated brass
Material of sensing face	Glass
Degree of protection	IP65
Connection	Connector S1
Weigth	230g

**Electrical Data**

Current	DC
Switching funktion	NO/NC
Output	PNP
Rated operational voltage Ue	24V DC
Rated operational current Ie	200mA
Supply Voltage	10...30V DC
Ripple	max. 10% from UB
Frequency of Supply Voltage	DC
Voltage drop	<2,4V
Short protection	yes
Protected against polarity reversal	yes
Rated insulation voltage	75VDC
max. Load capacity	1µF



Utilization categories  
 Insulation class

Datasheet number:

Definitions see general catalog.  
 If not otherwise noted, ratings according to  
 IEC 60947-5-2 (DIN EN60947-5-2)

Balluff GmbH  
 Schurwaldstrasse 9  
 73765 Neuhausen a.d.F.  
 Phone (07158) 173-0 Fax (07158) 5010

Datenblatt by CD-ROM - 04/2007

**BALLUFF**  
 sensors worldwide